



CENNIK
2019

POMPY NORMOWE FN



FN SERIES

FNC/FNS 32-50

TABLE OF HYDRAULIC PERFORMANCE AT 50 HZ

Pump model	RATED POWER		Q = DELIVERY																						
			H = TOTAL M.HEAD OF WATER COLUMN [m]																						
			m³/h 0	3	6	9	12	15	18	21	24	27	30	33	36	39	42	45	48	57	60	66	72		
Three-phase version		[kW]	[HP]	l/min 0	50	100	150	200	250	300	350	400	450	500	550	600	650	700	750	800	950	1000	1100	1200	
FNC 32-125/011*	-	1	1.5	21.5	21	20	19	17	14																
FNC 32-125/015*	-	1.5	2	26.5	26.5	26	25	23.5	21	18.5															
FNC 32-160/022*	-	2.5	3	30	30	29.5	29	28	27	25	22	18.5													
FNC 32-160/030	-	3	4	37	37	36.5	36	35.5	34.5	33	31	28.5													
FNC 32-200/040	-	4	5.5	43.5	43	43	42	41.5	40	38.5	37	34.5	31.5												
FNC 32-200/055	FNS 32-200/055	5.5	7.5	51.5	51.5	51	50.5	49.5	48.5	47.5	45.5	43.5	41												
FNC 32-200/075	FNS 32-200/075	7.5	10	60.5	60.5	60.5	60	59.5	58.5	57.5	56	54.5	52												
FNC 32-250/092	FNS 32-250/092	9.5	12.5	74	74	74	74	73	72	70.5	68.5	66	63	59											
FNC 32-250/110	FNS 32-250/110	11	15	87	87	87	87	87	87	86	85	83	80.5	77											
FNC 32-250/150	FNS 32-250/150	15	20	97	97.5	97.5	97.5	97	97	96.5	96	94	91.5	86.5	78.5										
FNC 40-125/015*	-	1.5	2	18.5	18.5	19	19	18.5	18.5	18	17.5	16.5	16	15											
FNC 40-125/022*	-	2.5	3	22	22	22.5	22.5	22	22	21.5	21	20	19.5	18.5	17	16									
FNC 40-125/030	-	3	4	26	27	27	27.5	27.5	27.5	27	27	26.5	26	25	24	23									
FNC 40-160/030	-	3	4	32	32	32	31.5	31	30.5	30	29	28	27	25.5	24	22									
FNC 40-160/040	-	4	5.5	37.5	38	38	37.5	37	37	36	35	34	33	31.5	30	28.5	26.5								
FNC 40-200/055	FNS 40-200/055	5.5	7.5	44	44.5	44.5	44.5	44.5	44	43.5	43	42	41	39.5	37.5	35.5									
FNC 40-200/075	FNS 40-200/075	7.5	10	53	53.5	53.5	53.5	53.5	53.5	53	52.5	52	51	49.5	48	46	43.5								
FNC 40-250/110	FNS 40-250/110	11	15	72.5	72.5	72.5	72.5	72	71.5	71	70	69	68	66.5	65	63.5	61.5	59	57						
FNC 40-250/150	FNS 40-250/150	15	20	85	85	85.5	86	86	86	85.5	85	84.5	84	82.5	81.5	80	78	76	73.5	70.5					
FNC 50-125/022*	-	2.5	3	17	17	17.5	17.5	18	18	17.5	17.5	17.5	17	17	16.5	16	15.5	15	14						
FNC 50-125/030	-	3	4	22.5	22.5	23	23	23	22.5	22.5	22.5	22	22	21.5	21	20.5	20	19.5	18.5	18	15				
FNC 50-125/040	-	4	5.5	24	24.5	24.5	24.5	24.5	24.5	24.5	24.5	24	24	23.5	23.5	23	22.5	22	21	20.5	17.5				
FNC 50-160/055	FNS 50-160/055	5.5	7.5	30	30.5	31	31	31.5	31.5	31.5	31	31	30.5	30	30	29.5	29	28	27.5	26.5	24	23	21	18.5	
FNC 50-160/075	FNS 50-160/075	7.5	10	38	38.5	38.5	39	39	39	39	39	39	39	39	39	38.5	38.5	38	37.5	37	36	34	33	31	28
FNC 50-200/092	FNS 50-200/092	9.5	12.5	45.5	46	46.5	47	47	47	47	47	47	46.5	46	45.5	44.5	43.5	42.5	41	40	35	33	28	23	
FNC 50-200/110	FNS 50-200/110	11	15	53	53.5	54	54.5	54.5	54.5	54.5	54.5	54	53.5	53	52.5	51.5	50.5	49.5	48	46.5	41.5	39.5	35.5	30.5	
FNC 50-200/150	FNS 50-200/150	15	20	60	60.5	61	61.5	61.5	61.5	61.5	61.5	61	60.5	60	59.5	58.5	57.5	56	55	53.5	48.5	46.5	42	37.5	
FNC 50-250/150	FNS 50-250/150	15	20	73	74	74	74.5	75	75	75	75	75	74.5	74.5	74	73.5	72.5	72	71	70	66.5	65			
FNC 50-250/185	FNS 50-250/185	18.5	25	82	82.5	82.5	82.5	82.5	82.5	82.5	82.5	82.5	82	82	81.5	81	80.5	80	79	78	74.5	73	70	66	
FNC 50-250/220	FNS 50-250/220	22	30	87.5	88	88	88	88.5	88.5	89	89	89	88.5	88.5	88	88	87.5	87	86	85.5	82	81	78	74	

* Available also in single-phase version

FNC/FNS 65-80

TABLE OF HYDRAULIC PERFORMANCE AT 50 HZ

Pump model	RATED POWER	Q = DELIVERY																							
		m ³ /h	12	24	30	36	42	48	54	60	66	72	78	84	96	102	120	132	144	156	168	180	192	240	
		l/min	200	400	500	600	700	800	900	1000	1100	1200	1300	1400	1600	1700	2000	2200	2400	2600	2800	3000	3200	4000	
Three-phase version	[kW] [HP]	H = TOTAL M.HEAD OF WATER COLUMN [m]																							
FNC 65-125/055	FNS 65-125/055	5.5	7.5	24	24	24	24	24	23.5	23	23	22.5	22	21	20.5	19.5									
FNC 65-125/075	FNS 65-125/075	7.5	10	25	25	25	25	25	25	25	24.5	24	23.5	22.5	22	20	18.5								
FNC 65-160/092	FNS 65-160/092	9.5	12.5	32	32.5	33	33	33	33	33	32.5	32	31.5	31	30	28	27	22							
FNC 65-160/110	FNS 65-160/110	11	15	37	38	39	39	39	39	39	38.5	38	37.5	36.5	36	34	32.5	28							
FNC 65-160/150	FNS 65-160/150	15	20	42	44	44.5	45	45	45	45	44.5	44	44	43	42	40	39	35							
FNC 65-200/150	FNS 65-200/150	15	20	42.5	46	47	47.5	48	48	48	48	47.5	47	47	46.5	45	44	41							
FNC 65-200/185	FNS 65-200/185	18.5	25	47	48.5	50	50	50.5	50.5	50.5	50.5	50	50	49.5	49	47.5	46.5	43.5	41						
FNC 65-200/220	FNS 65-200/220	22	30	50.5	52	53.5	54	54	54.5	54.5	54.5	54	54	53.5	53	52.5	51	50	47	44					
-	FNS 65-250/300	30	40	71	72	72.5	73	73	73	73	73	72.5	72	72	71	70	69	66	63	59.5					
-	FNS 65-250/370	37	50	80	81	82	82	82.5	82.5	82.5	82.5	82.5	82	81.5	81	80	79	76	73	70	66				
FNC 80-160/110	FNS 80-160/110	11	15	27.5	27.5	28	28	28	28	28	28	28	28	27.5	27.5	27	26.5	25.5	24.5	23	21.5				
FNC 80-160/150	FNS 80-160/150	15	20	32	32	32.5	33	33	33	33	33	33	33	33	33	32.5	32	31	29.5	28	26.5				
FNC 80-160/185	FNS 80-160/185	18.5	25	33	33.5	34	34	34	34.5	34.5	34.5	34.5	34.5	34	34	33.5	32	31	29.5	28	25.5	23			
FNC 80-160/220	FNS 80-160/220	22	30	37	38	38	38.5	38.5	38.5	39	39	39	39	39	38.5	38.5	38	38	36.5	35.5	34	32.5	30.5	28	
-	FNS 80-200/300	30	40	51	53	54	54.5	54.5	55.4	56	56	56.5	56.5	56.6	56.6	56.5	56	55	54	52.5	50.5	48.5	46.5		
-	FNS 80-200/370	37	50	61	62.5	63.5	64	64.5	65	65.5	66	66	66	66.5	66.5	66.5	66.5	65.5	65	64	62.5	51	59.5		
-	FNS 80-250/450	45	60	68	68.5	69	69.5	69.5	70	70	70	70.5	70.5	70.5	70.5	70	70	69.5	68.5	67.5	66.5	65	63	61	50
-	FNS 80-250/550	55	75	87	87.5	88	88	88.5	88.5	89	89	89	89	89.5	89.5	88	88	87	86	85	84	82.5	81	79	70.5
-	FNS 80-250/750	75	100	101	102	102.5	103	103	103	103	103.5	104	104	104	104	104	104	104	104	103.5	103	102	101	100	92

SURFACE ELECTRIC PUMPS

FNE 32-50

TABLE OF HYDRAULIC PERFORMANCE AT 50 HZ

Pump model	RATED POWER		Q = DELIVERY																				
			m³/h	3	6	9	12	15	18	21	24	27	30	33	36	39	42	45	48	57	60	66	72
			l/min	0	50	100	150	200	250	300	350	400	450	500	550	600	650	700	750	800	950	1000	1100
Only hydraulic	[kW]	[HP]	H = TOTAL M.HEAD OF WATER COLUMN [m]																				
FNE 32-125/011	1.1	1.5	21.5	21	20	19	17	14															
FNE 32-125/015	1.5	2	26.5	26.5	26	25	23.5	21	18.5														
FNE 32-160/022	2.2	3	30	30	29.5	29	28	27	25	22	18.5												
FNE 32-160/030	3	4	37	37	36.5	36	35.5	34.5	33	31	28.5												
FNE 32-200/040	4	5.5	43.5	43	43	42	41.5	40	38.5	37	34.5	31.5											
FNE 32-200/055	5.5	7.5	51.5	51.5	51	50.5	49.5	48.5	47.5	45.5	43.5	41											
FNE 32-200/075	7.5	10	60.5	60.5	60.5	60	59.5	58.5	57.5	56	54.5	52											
FNE 32-250/092	9.2	12.5	74	74	74	74	73	72	70.5	68.5	66	63	59										
FNE 32-250/110	11	15	87	87	87	87	87	87	86	85	83	80.5	77										
FNE 32-250/150	15	20	97	97.5	97.5	97.5	97	97	96.5	96	94	91.5	86.5	78.5									
FNE 40-125/015	1.5	2	18.5	18.5	19	19	18.5	18.5	18	17.5	16.5	16	15										
FNE 40-125/022	2.2	3	22	22	22.5	22.5	22	21.5	21	20	19.5	18.5	17	16									
FNE 40-125/030	3	4	26	27	27	27.5	27.5	27.5	27	27	26.5	26	25	24	23								
FNE 40-160/030	3	4	32	32	32	31.5	31	30.5	30	29	28	27	25.5	24	22								
FNE 40-160/040	4	5.5	37.5	38	38	37.5	37	37	36	35	34	33	31.5	30	28.5	26.5							
FNE 40-200/055	5.5	7.5	44	44.5	44.5	44.5	44.5	44	43.5	43	42	41	39.5	37.5	35.5								
FNE 40-200/075	7.5	10	53	53.5	53.5	53.5	53.5	53.5	53	52.5	52	51	49.5	48	46	43.5							
FNE 40-250/110	11	15	72.5	72.5	72.5	72.5	72	71.5	71	70	69	68	66.5	65	63.5	61.5	59	57					
FNE 40-250/150	15	20	85	85	85.5	86	86	86	85.5	85	84.5	84	82.5	81.5	80	78	76	73.5	70.5				
FNE 50-125/022	2.2	3	17	17	17.5	17.5	18	18	17.5	17.5	17.5	17	17	16.5	16	15.5	15	14					
FNE 50-125/030	3	4	22.5	22.5	23	23	23	22.5	22.5	22.5	22	22	21.5	21	20.5	20	19.5	18.5	18	15			
FNE 50-125/040	4	5.5	24	24.5	24.5	24.5	24.5	24.5	24.5	24.5	24	24	23.5	23.5	23	22.5	22	21	20.5	17.5			
FNE 50-160/055	5.5	7.5	30	30.5	31	31	31.5	31.5	31.5	31	31	30.5	30	30	29.5	29	28	27.5	26.5	24	23	21	18.5
FNE 50-160/075	7.5	10	38	38.5	38.5	39	39	39	39	39	39	39	39	39	38.5	38.5	38	37.5	37	36	34	33	28
FNE 50-200/092	9.2	12.5	45.5	46	46.5	47	47	47	47	47	47	46.5	46	45.5	44.5	43.5	42.5	41	40	35	33	28	23
FNE 50-200/110	11	15	53	53.5	54	54.5	54.5	54.5	54.5	54.5	54	53.5	53	52.5	51.5	50.5	49.5	48	46.5	41.5	39.5	35.5	30.5
FNE 50-200/150	15	20	60	60.5	61	61.5	61.5	61.5	61.5	61.5	61	60.5	60	59.5	58.5	57.5	56	55	53.5	48.5	46.5	42	37.5
FNE 50-250/150	15	20	73	74	74	74.5	75	75	75	75	75	74.5	74.5	74	73.5	72.5	72	71	70	66.5	65		
FNE 50-250/185	18.5	25	82	82.5	82.5	82.5	82.5	82.5	82.5	82.5	82.5	82	82	81.5	81	80.5	80	79	78	74.5	73	70	66
FNE 50-250/220	22	30	87.5	88	88	88	88.5	88.5	89	89	89	88.5	88.5	88	88	87.5	87	86	85.5	82	81	78	74

FNE 65-80

TABLE OF HYDRAULIC PERFORMANCE AT 50 HZ

Pump model	RATED POWER		Q = DELIVERY																									
			m ³ /h	12	24	30	36	42	48	54	60	66	72	78	84	96	102	120	132	144	156	168	180	192	240			
			l/min	0	200	400	500	600	700	800	900	1000	1100	1200	1300	1400	1600	1700	2000	2200	2400	2600	2800	3000	3200	4000		
Only hydraulic	[kW]	[HP]	H = TOTAL M.HEAD OF WATER COLUMN [m]																									
FNE 65-125/055	5.5	7.5	24	24	24	24	24	23.5	23	23	22.5	22	21	20.5	19.5													
FNE 65-125/075	7.5	10	25	25	25	25	25	25	25	25	24.5	24	23.5	22.5	22	20	18.5											
FNE 65-160/092	9.2	12.5	32	32.5	33	33	33	33	33	33	32.5	32	31.5	31	30	28	27	22										
FNE 65-160/110	11	15	37	38	39	39	39	39	39	39	38.5	38	37.5	36.5	36	34	32.5	28										
FNE 65-160/150	15	20	42	44	44.5	45	45	45	45	45	44.5	44	44	43	42	40	39	35										
FNE 65-200/150	15	20	42.5	46	47	47.5	48	48	48	48	48	47.5	47	47	46.5	45	44	41										
FNE 65-200/185	18.5	25	47	48.5	50	50	50.5	50.5	50.5	50.5	50.5	50	50	49.5	49	47.5	46.5	43.5	41									
FNE 65-200/220	22	30	50.5	52	53.5	54	54	54.5	54.5	54.5	54	54	53.5	53	52.5	51	50	47	44									
FNE 65-250/300	30	40	71	72	72.5	73	73	73	73	73	73	72.5	72	72	71	70	69	66	63	59.5								
FNE 65-250/370	37	50	80	81	82	82	82.5	82.5	82.5	82.5	82.5	82.5	82	81.5	81	80	79	76	73	70	66							
FNE 80-160/110	11	15	27.5	27.5	28	28	28	28	28	28	28	28	28	28	27.5	27.5	27	26.5	25.5	24.5	23	21.5						
FNE 80-160/150	15	20	32	32	32.5	33	33	33	33	33	33	33	33	33	33	32.5	32	31	29.5	28	26.5							
FNE 80-160/185	18.5	25	33	33.5	34	34	34	34.5	34.5	34.5	34.5	34.5	34.5	34.5	34	34	33.5	32	31	29.5	28	26.5	25.5	23				
FNE 80-160/220	22	30	37	38	38	38.5	38.5	38.5	39	39	39	39	39	39	38.5	38.5	38	38	36.5	35.5	34	32.5	30.5	28				
FNE 80-200/300	30	40	51	53	54	54.5	54.5	55.4	56	56	56.5	56.5	56.6	56.6	56.5	56.5	56	55	54	52.5	50.5	48.5	46.5					
FNE 80-200/370	37	50	61	62.5	63.5	64	64.5	65	65.5	66	66	66	66.5	66.5	66.5	66.5	66.5	66.5	65.5	65	64	62.5	51	59.5				
FNE 80-250/450	45	60	68	68.5	69	69.5	69.5	70	70	70	70.5	70.5	70.5	70.5	70.5	70	70	69.5	68.5	67.5	66.5	65	63	61	50			
FNE 80-250/550	55	75	87	87.5	88	88	88.5	88.5	89	89	89	89	89.5	89.5	89.5	88	88	87	86	85	84	82.5	81	79	70.5			
FNE 80-250/750	75	100	101	102	102.5	102.5	103	103	103	103	103.5	103.5	104	104	104	104	104	104	104	104	103.5	103	102	101	100	92		

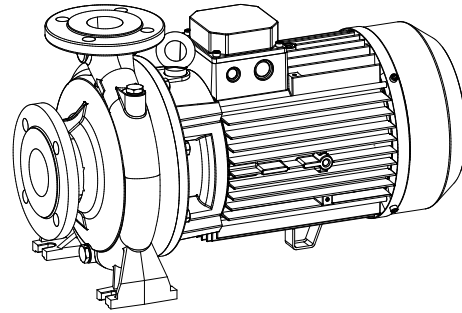
SURFACE ELECTRIC PUMPS

FNC

PRODUCT DESCRIPTION

Centrifugal close-coupled pump

TECHNICAL DATA	
Power range:	1.1 kW ÷ 22 kW
Frequency:	50 Hz
Flow:	up to 180 m ³ /h
Head:	up to 90 m
Max. working pressure:	10 Bar (PN10)
Liquid temperature:	-20° ÷ 90°C
Protection degree:	IP54
Insulation class:	F
Three-phase motors Efficiency class:	IE3
MATERIALS	
Pump casing:	Cast iron GG20
Motor bracket:	Cast iron GG20
Suction/Inlet ports:	standard EN1092-2
Impeller:	Cast iron GG20 with cataphoresis treatment
Pump shaft:	Stainless steel AISI 304
Mechanical seal:	Carbon / Ceramic / NBR



SINGLE-PHASE VERSION

Pump model	Version 1 x 230 V		Power		Performance		Weight [Kg]
	Code	Price	[kW]	[HP]	Q [m ³ /h]	H [m]	
FNC 32-125/011	ETH7NC0AAA0A	654,00 €	1.1	1.5	21 ÷ 6	12 ÷ 20.5	29.3
FNC 32-125/015	ETH7NC0AAB0A	687,00 €	1.5	2,00	21 ÷ 6	16.5 ÷ 26.5	31.3
FNC 32-160/022	ETH7NC0AAC0A	770,00 €	2.2	3,00	21 ÷ 9	23 ÷ 30	37.6
FNC 40-125/015	ETH7NC0BAB0A	712,00 €	1.5	2	36 ÷ 9	11 ÷ 19	32.3
FNC 40-125/022	ETH7NC0BAC0A	750,00 €	2.2	3	36 ÷ 9	16.5 ÷ 22.5	36.6
FNC 50-125/022	ETH7NC0CAC0A	715,00 €	2.2	3	57 ÷ 12	10 ÷ 18	35.1

THREE-PHASE VERSION

Pump model	Version 3 x 400 V		Power		Performance		Weight [Kg]
	Code	Price	[kW]	[HP]	Q [m ³ /h]	H [m]	
FNC 32-125/011	ETH7NC0AAA1A	654,00 €	1.1	1.5	21 ÷ 6	12 ÷ 20.5	28.8
FNC 32-125/015	ETH7NC0AAB1A	687,00 €	1.5	2	21 ÷ 6	16.5 ÷ 26.5	31.3
FNC 32-160/022	ETH7NC0AAC1A	758,00 €	2.2	3	21 ÷ 9	23 ÷ 30	34.3
FNC 32-160/030	ETH7NC0AAD1A	791,00 €	3	4	24 ÷ 9	28 ÷ 37	41.1
FNC 32-200/040	ETH7NC0AAE1A	912,00 €	4	5	24 ÷ 9	35 ÷ 43	53.6
FNC 32-200/055	ETH7NC0AAF2A	1.110,00 €	5.5	7.5	24 ÷ 9	40 ÷ 50.5	65.7
FNC 32-200/075	ETH7NC0AAG2A	1.291,00 €	7.5	10	24 ÷ 9	50 ÷ 59	68.7
FNC 32-250/092	ETH7NC0AAH2A	1.687,00 €	9.2	12.4	33 ÷ 6	60 ÷ 75	95.7
FNC 32-250/110	ETH7NC0AAI2A	1.867,00 €	11	15	33 ÷ 6	74 ÷ 89.5	96.7
FNC 32-250/150	ETH7NC0AAL2A	2.175,00 €	15	20	33 ÷ 6	83 ÷ 98	136.2
FNC 40-125/015	ETH7NC0BAB1A	700,00 €	1.5	2	36 ÷ 9	11 ÷ 19	32.3
FNC 40-125/022	ETH7NC0BAC1A	728,00 €	2.2	3	36 ÷ 9	16.5 ÷ 22.5	33.3
FNC 40-125/030	ETH7NC0BAD1A	809,00 €	3	4	36 ÷ 9	21.5 ÷ 27.5	40.6
FNC 40-160/030	ETH7NC0BBD1A	824,00 €	3	4	39 ÷ 12	17 ÷ 30	42.6
FNC 40-160/040	ETH7NC0BBE1A	880,00 €	4	5	39 ÷ 12	25 ÷ 37.8	50.1
FNC 40-200/055	ETH7NC0BCF2A	1.282,00 €	5.5	7.5	39 ÷ 12	32 ÷ 44.5	69.2
FNC 40-200/075	ETH7NC0BCG2A	1.375,00 €	7.5	10	39 ÷ 12	45.5 ÷ 55	72.2
FNC 40-250/110	ETH7NC0BDI2A	2.018,00 €	11	15	48 ÷ 12	54.5 ÷ 72	92.2
FNC 40-250/150	ETH7NC0BDL2A	2.401,00 €	15	20	48 ÷ 12	70.5 ÷ 85.5	131.7

Pump model	Version 3 x 400 V		Power		Performance		Weight [Kg]
	Code	Price	[kW]	[HP]	Q [m³/h]	H [m]	
FNC 50-125/022	ETH7NC0CAC1A	688,00 €	2.2	3	57 ÷ 12	10 ÷ 18	35.8
FNC 50-125/030	ETH7NC0CAD1A	884,00 €	3	4	57 ÷ 12	14.5 ÷ 22.5	43.1
FNC 50-125/040	ETH7NC0CAE1A	1.001,00 €	4	5	57 ÷ 12	19.5 ÷ 26	53.1
FNC 50-160/055	ETH7NC0CBF2A	1.235,00 €	5.5	7.5	60 ÷ 18	22 ÷ 31.8	65.2
FNC 50-160/075	ETH7NC0CBG2A	1.364,00 €	7.5	10	60 ÷ 18	33 ÷ 40	69.2
FNC 50-200/092	ETH7NC0CCH2A	1.829,00 €	9.2	12.4	72 ÷ 30	23 ÷ 45.5	90.2
FNC 50-200/110	ETH7NC0CCI2A	2.083,00 €	11	15	72 ÷ 30	30 ÷ 53.5	91.2
FNC 50-200/150	ETH7NC0CCL2A	2.511,00 €	15	20	72 ÷ 30	37.5 ÷ 60	119.2
FNC 50-250/150	ETH7NC0CDL2A	2.664,00 €	15	20	78 ÷ 30	54 ÷ 74.5	132.2
FNC 50-250/185	ETH7NC0CDM2A	2.974,00 €	18.5	25	78 ÷ 30	61.5 ÷ 82	134.2
FNC 50-250/220 *	ETH7NC0CDN2A	3.213,00 €	22	30	78 ÷ 30	69.5 ÷ 90	-
FNC 65-125/055	ETH7NC0DAF2A	1.259,00 €	5.5	7.5	102 ÷ 30	14 ÷ 25	65.7
FNC 65-125/075	ETH7NC0DAG2A	1.332,00 €	7.5	10	102 ÷ 30	17 ÷ 27	68.7
FNC 65-160/092	ETH7NC0DBH2A	1.992,00 €	9.2	12.4	120 ÷ 42	22 ÷ 33.5	77.2
FNC 65-160/110	ETH7NC0DBI2A	2.177,00 €	11	15	120 ÷ 42	28 ÷ 39	89.2
FNC 65-160/150	ETH7NC0DBL2A	2.577,00 €	15	20	120 ÷ 42	34.5 ÷ 45	119.2
FNC 65-200/150	ETH7NC0DCL2A	2.416,00 €	15	20	132 ÷ 48	34.5 ÷ 46.5	127.2
FNC 65-200/185	ETH7NC0DCM2A	3.000,00 €	18.5	25	132 ÷ 48	39 ÷ 50.5	141.7
FNC 65-200/220 *	ETH7NC0DCN2A	3.176,00 €	22	30	132 ÷ 48	44.5 ÷ 54.8	-
FNC 80-160/110	ETH7NC0EBI2A	2.329,00 €	11	15	156 ÷ 60	22 ÷ 29.8	94.2
FNC 80-160/150	ETH7NC0EBL2A	2.687,00 €	15	20	156 ÷ 60	27.5 ÷ 34.5	129.7
FNC 80-160/185	ETH7NC0EBM2A	2.941,00 €	18.5	25	156 ÷ 60	32 ÷ 37.5	142.7
FNC 80-160/220 *	ETH7NC0EBN2A	3.387,00 €	22	30	156 ÷ 60	36.5 ÷ 41.5	-

* Product available from June 2019

Mechanical seal extra prices							
Diameter mechanical seal shaft - standard EN 12756		E1	V4	E7	V8	E5	V6
Motor size [kW]	Shaft diameter [mm]	QBGE	QBGV	QUGE	QUGV	UUGE	UUGV
1.1 ÷ 4	20	135,00 €	142,00 €	210,00 €	240,00 €	-	-
5.5 ÷ 7.5	24	149,00 €	159,00 €	240,00 €	280,00 €	-	-
9.2 ÷ 22	30	234,00 €	244,00 €	290,00 €	340,00 €	-	-
30 ÷ 75	40	-	-	-	-	518,00 €	535,00 €

Model	Materials	Elastomers	Description
E1	QBG	E	Silicon carbide/Graphite/Steel/EPDM
V4	QBG	V	Silicon carbide/Graphite/Steel/FKM
E7	QUG	E	Silicon carbide/Tungsten carbide/Steel/EPDM
V8	QUG	V	Silicon carbide/Tungsten carbide/Steel/FKM
E5	UUG	E	Tungsten carbide/Tungsten carbide/Steel/EPDM
V6	UUG	V	Tungsten carbide/Tungsten carbide/Steel/FKM

SURFACE ELECTRIC PUMPS

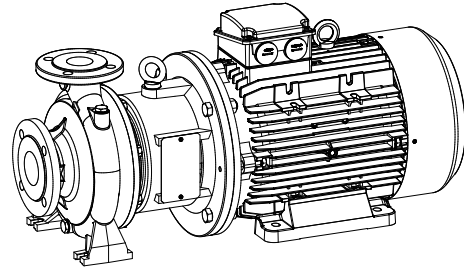
FNS

PRODUCT DESCRIPTION

Stub shaft centrifugal electropump

NEW PRODUCT

TECHNICAL DATA	
Power range:	5.5 kW ÷ 75 kW
Frequency:	50 Hz
Flow:	up to 240 m ³ /h
Head:	up to 100 m
Max. working pressure:	10 Bar (PN10)
Liquid temperature:	-20°C ÷ +90°C
Protection degree:	IP55
Insulation class:	F (B)
Three-phase motors Efficiency class:	IE3
MATERIALS	
Pump casing:	Cast iron GG20
Motor bracket	Cast iron GG20
Suction/Inlet ports:	standard EN1092-2
Impeller:	Cast iron GG20 with cataphoresis treatment
Pump shaft:	Stainless steel AISI 304
Mechanical seal:	Carbon / Ceramic / NBR



Pump model	Version 3 x 400 V		IEC	Power		Performance		Weight [Kg]
	Code	Price		[kW]	[HP]	Q [m ³ /h]	H [m]	
FNS 32-200/055	ETH7NS0ACF2A	1.570,00 €	132	5.5	7.5	24 ÷ 9	40 ÷ 50.5	86.8
FNS 32-200/075	ETH7NS0ACG2A	1.805,00 €	132	7.5	10	24 ÷ 9	50 ÷ 59	94.1
FNS 32-250/092	ETH7NS0ADH2A	2.150,00 €	132	9.2	12.4	33 ÷ 6	60 ÷ 75	109.1
FNS 32-250/110	ETH7NS0ADI2A	2.650,00 €	160	11	15	33 ÷ 6	74 ÷ 89.5	147.1
FNS 32-250/150	ETH7NS0ADL2A	2.790,00 €	160	15	20	33 ÷ 6	83 ÷ 98	148.5
FNS 40-200/055	ETH7NS0BCF2A	1.800,00 €	132	5.5	7.5	39 ÷ 12	32 ÷ 44.5	89.0
FNS 40-200/075	ETH7NS0BCG2A	1.890,00 €	132	7.5	10	39 ÷ 12	45.5 ÷ 55	96.4
FNS 40-250/110	ETH7NS0BDI2A	2.720,00 €	160	11	15	48 ÷ 12	54.5 ÷ 72	147.4
FNS 40-250/150	ETH7NS0BDL2A	2.810,00 €	160	15	20	48 ÷ 12	70.5 ÷ 85.5	149.0
FNS 50-160/055	ETH7NS0CBF2A	1.725,00 €	132	5.5	7.5	60 ÷ 18	22 ÷ 31.8	85.8
FNS 50-160/075	ETH7NS0CBG2A	1.905,00 €	132	7.5	10	60 ÷ 18	33 ÷ 40	93.2
FNS 50-200/092	ETH7NS0CCH2A	2.250,00 €	132	9.2	12.4	72 ÷ 30	23 ÷ 45.5	101.9
FNS 50-200/110	ETH7NS0CCI2A	2.690,00 €	160	11	15	72 ÷ 30	30 ÷ 53.5	139.7
FNS 50-200/150	ETH7NS0CCL2A	2.760,00 €	160	15	20	72 ÷ 30	37.5 ÷ 60	141.0
FNS 50-250/150	ETH7NS0CDL2A	3.110,00 €	160	15	20	78 ÷ 30	54 ÷ 74.5	149.5
FNS 50-250/185	ETH7NS0CDM2A	3.340,00 €	160	18.5	25	78 ÷ 30	61.5 ÷ 82	164.9
FNS 50-250/220	ETH7NS0CDN2A	3.570,00 €	180	22	30	78 ÷ 30	69.5 ÷ 90	165.2
FNS 65-125/055	ETH7NS0DAF2A	1.759,00 €	132	5.5	7.5	102 ÷ 30	14 ÷ 25	84.7
FNS 65-125/075	ETH7NS0DAG2A	1.860,00 €	132	7.5	10	102 ÷ 30	17 ÷ 27	91.8
FNS 65-160/092	ETH7NS0DBH2A	2.150,00 €	132	9.2	12.4	120 ÷ 42	22 ÷ 33.5	101.7
FNS 65-160/110	ETH7NS0DBI2A	2.520,00 €	160	11	15	120 ÷ 42	28 ÷ 39	139.5
FNS 65-160/150	ETH7NS0DBL2A	2.650,00 €	160	15	20	120 ÷ 42	34.5 ÷ 45	140.8
FNS 65-200/150	ETH7NS0DCL2A	2.990,00 €	160	15	20	132 ÷ 48	34.5 ÷ 46.5	145.1
FNS 65-200/185	ETH7NS0DCM2A	3.150,00 €	160	18.5	25	132 ÷ 48	39 ÷ 50.5	160.3
FNS 65-200/220	ETH7NS0DCN2A	3.380,00 €	180	22	30	132 ÷ 48	44.5 ÷ 54.8	160.5
FNS 65-250/300	ETH7NS0DCO2A	4.990,00 €	200	30	40	144 ÷ 48	59.5 ÷ 73	297.9
FNS 65-250/370	ETH7NS0DCP2A	5.850,00 €	200	37	50	144 ÷ 48	69.5 ÷ 82.5	314.3
FNS 80-160/110	ETH7NS0EBI2A	3.520,00 €	160	11	15	156 ÷ 60	22 ÷ 29.8	144.3
FNS 80-160/150	ETH7NS0EBL2A	3.200,00 €	160	15	20	156 ÷ 60	27.5 ÷ 34.5	145.7
FNS 80-160/185	ETH7NS0EBM2A	3.350,00 €	160	18.5	25	156 ÷ 60	32 ÷ 37.5	161.0
FNS 80-160/220	ETH7NS0EBN2A	3.620,00 €	180	22	30	156 ÷ 60	36.5 ÷ 41.5	161.2
FNS 80-200/300	ETH7NS0ECO2A	4.960,00 €	200	30	40	180 ÷ 96	40 ÷ 56	304.9
FNS 80-200/370	ETH7NS0ECP2A	5.850,00 €	200	37	50	192 ÷ 96	53 ÷ 66	321.4
FNS 80-250/450	ETH7NS0EDQ2A	7.850,00 €	200	45	60	240 ÷ 96	50 ÷ 70	409.0
FNS 80-250/550	ETH7NS0EDR2A	9.220,00 €	250	55	75	240 ÷ 96	70 ÷ 87.5	518.6
FNS 80-250/750	ETH7NS0EDS2A	10.850,00 €	280	75	100	240 ÷ 96	92 ÷ 104	729.0

Mechanical seal extra prices

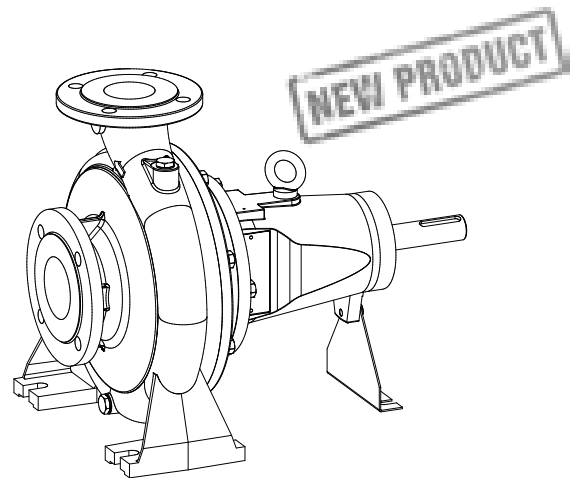
Diameter mechanical seal shaft - standard EN 12756		E1	V4	E7	V8	E5	V6
Motor size [kW]	Shaft diameter [mm]	QBGE	QBGV	QUGE	QUGV	UUGE	UUGV
1.1 ÷ 4	20	135,00 €	142,00 €	210,00 €	240,00 €	-	-
5.5 ÷ 7.5	24	149,00 €	159,00 €	240,00 €	280,00 €	-	-
9.2 ÷ 22	30	234,00 €	244,00 €	290,00 €	340,00 €	-	-
30 ÷ 75	40	-	-	-	-	518,00 €	535,00 €

FNE

PRODUCT DESCRIPTION

Elastic coupling centrifugal pump without motor

TECHNICAL DATA	
Power range:	1.1 kW ÷ 75 kW
Frequency:	50 Hz
Flow:	up to 240 m ³ /h
Head:	up to 100 m
Max. working pressure:	10 Bar (PN10)
Liquid temperature:	-20°C ÷ +90°C
MATERIALS	
Pump casing:	Cast iron GG20
Motor bracket	Cast iron GG20
Suction/Inlet ports:	standard EN1092-2
Impeller:	Cast iron GG20 with cataphoresis treatment
Pump shaft:	Stainless steel AISI 304
Mechanical seal:	Carbon / Ceramic / NBR



Pump model	Code	Price	IEC	Power		Performance		Weight [Kg]
				[kW]	[HP]	Q [m ³ /h]	H [m]	
FNE 32-125/011	ETH7NF0AAAXA	850,00 €	80	1.1	1.5	21 ÷ 6	12 ÷ 20.5	28.4
FNE 32-125/015	ETH7NF0AABXA	850,00 €	80	1.5	2	21 ÷ 6	16.5 ÷ 26.5	28.6
FNE 32-160/022	ETH7NF0ABCXA	970,00 €	80	2.2	3	21 ÷ 9	23 ÷ 30	32.9
FNE 32-160/030	ETH7NF0ABDXA	970,00 €	90	3	4	24 ÷ 9	28 ÷ 37	33.2
FNE 32-200/040	ETH7NF0ACEXA	1.110,00 €	100	4	5	24 ÷ 9	35 ÷ 43	37.4
FNE 32-200/055	ETH7NF0ACFXA	1.110,00 €	112	5.5	7.5	24 ÷ 9	40 ÷ 50.5	37.8
FNE 32-200/075	ETH7NF0ACGXA	1.110,00 €	132	7.5	10	24 ÷ 9	50 ÷ 59	38.1
FNE 32-250/092	ETH7NF0ADHXA	1.290,00 €	132	9.2	12.4	33 ÷ 6	60 ÷ 75	48.6
FNE 32-250/110	ETH7NF0ADIXA	1.290,00 €	132	11	15	33 ÷ 6	74 ÷ 89.5	49.1
FNE 32-250/150	ETH7NF0ADLXA	1.290,00 €	160	15	20	33 ÷ 6	83 ÷ 98	49.4
FNE 40-125/015	ETH7NF0BABXA	990,00 €	80	1.5	2	36 ÷ 9	11 ÷ 19	29.6
FNE 40-125/022	ETH7NF0BACXA	990,00 €	80	2.2	3	36 ÷ 9	16.5 ÷ 22.5	29.8
FNE 40-125/030	ETH7NF0BADXA	990,00 €	90	3	4	36 ÷ 9	21.5 ÷ 27.5	30,0
FNE 40-160/030	ETH7NF0BBDXA	1.117,00 €	90	3	4	39 ÷ 12	17 ÷ 30	34,0
FNE 40-160/040	ETH7NF0BBEXA	1.117,00 €	100	4	5	39 ÷ 12	25 ÷ 37.8	34,3
FNE 40-200/055	ETH7NF0BCFXA	1.225,00 €	112	5.5	7.5	39 ÷ 12	32 ÷ 44.5	40,0
FNE 40-200/075	ETH7NF0BCGXA	1.225,00 €	132	7.5	10	39 ÷ 12	45.5 ÷ 55	40,4
FNE 40-250/110	ETH7NF0BDIXA	1.365,00 €	132	11	15	48 ÷ 12	54.5 ÷ 72	49,4
FNE 40-250/150	ETH7NF0BDLXA	1.365,00 €	160	15	20	48 ÷ 12	70.5 ÷ 85.5	49,9
FNE 50-125/022	ETH7NF0CACXA	1.120,00 €	80	2.2	3	57 ÷ 12	10 ÷ 18	31,8
FNE 50-125/030	ETH7NF0CADXA	1.120,00 €	90	3	4	57 ÷ 12	14.5 ÷ 22.5	32,1
FNE 50-125/040	ETH7NF0CAEXA	1.120,00 €	100	4	5	57 ÷ 12	19.5 ÷ 26	32,2
FNE 50-160/055	ETH7NF0CBFXA	1.260,00 €	112	5.5	7.5	60 ÷ 18	22 ÷ 31.8	36,8
FNE 50-160/075	ETH7NF0CBGXA	1.260,00 €	132	7.5	10	60 ÷ 18	33 ÷ 40	37,2
FNE 50-200/092	ETH7NF0CCHXA	1.320,00 €	132	9.2	12.4	72 ÷ 30	23 ÷ 45.5	41,4
FNE 50-200/110	ETH7NF0CCIXA	1.320,00 €	132	11	15	72 ÷ 30	30 ÷ 53.5	41,7
FNE 50-200/150	ETH7NF0CCLXA	1.320,00 €	160	15	20	72 ÷ 30	37.5 ÷ 60	41,9
FNE 50-250/150	ETH7NF0CDLXA	1.680,00 €	160	15	20	78 ÷ 30	54 ÷ 74.5	50,4
FNE 50-250/185	ETH7NF0CDMXA	1.680,00 €	160	18.5	25	78 ÷ 30	61.5 ÷ 82	50,7
FNE 50-250/220	ETH7NF0CDNXA	1.680,00 €	180	22	30	78 ÷ 30	69.5 ÷ 90	51,0
FNE 65-125/055	ETH7NF0DAFXA	1.240,00 €	112	5.5	7.5	102 ÷ 30	14 ÷ 25	35,7
FNE 65-125/075	ETH7NF0DAGXA	1.240,00 €	132	7.5	10	102 ÷ 30	17 ÷ 27	35,8
FNE 65-160/092	ETH7NF0DBHXA	1.560,00 €	132	9.2	12.4	120 ÷ 42	22 ÷ 33.5	41,2
FNE 65-160/110	ETH7NF0DBIXA	1.560,00 €	132	11	15	120 ÷ 42	28 ÷ 39	41,5
FNE 65-160/150	ETH7NF0DBLXA	1.560,00 €	160	15	20	120 ÷ 42	34.5 ÷ 45	41,7
FNE 65-200/150	ETH7NF0DCLXA	1.790,00 €	160	15	20	132 ÷ 48	34.5 ÷ 46.5	46,0
FNE 65-200/185	ETH7NF0DCMXA	1.790,00 €	160	18.5	25	132 ÷ 48	39 ÷ 50.5	46,1
FNE 65-200/220	ETH7NF0DCNXA	1.790,00 €	180	22	30	132 ÷ 48	44.5 ÷ 54.8	46,3
FNE 65-250/300	ETH7NF0DDOXA	2.145,00 €	200	30	40	144 ÷ 48	59.5 ÷ 73	67,6
FNE 65-250/370	ETH7NF0DDPXA	2.145,00 €	200	37	50	144 ÷ 48	69.5 ÷ 82.5	68,0

SURFACE ELECTRIC PUMPS

Pump model	Code	Price	IEC	Power		Performance		Weight [Kg]
				[kW]	[HP]	Q [m³/h]	H [m]	
FNE 80-160/110	ETH7NF0EBIXA	1.750,00 €	160	11	15	156 ÷ 60	22 ÷ 29.8	46.3
FNE 80-160/150	ETH7NF0EBLXA	1.750,00 €	160	15	20	156 ÷ 60	27.5 ÷ 34.5	46.6
FNE 80-160/185	ETH7NF0EBMXA	1.750,00 €	160	18.5	25	156 ÷ 60	32 ÷ 37.5	46.8
FNE 80-160/220	ETH7NF0EBNXA	1.750,00 €	180	22	30	156 ÷ 60	36.5 ÷ 41.5	47.0
FNE 80-200/300	ETH7NF0ECOXA	2.105,00 €	200	30	40	180 ÷ 96	40 ÷ 56	70.9
FNE 80-200/370	ETH7NF0ECPXA	2.105,00 €	200	37	50	192 ÷ 96	53 ÷ 66	71.4
FNE 80-250/450	ETH7NF0EDQXA	2.425,00 €	200	45	60	240 ÷ 96	50 ÷ 70	83.4
FNE 80-250/550	ETH7NF0EDRXA	2.425,00 €	250	55	75	240 ÷ 96	70 ÷ 87.5	85.5
FNE 80-250/750	ETH7NF0EDSXA	2.425,00 €	280	75	100	240 ÷ 96	92 ÷ 104	86.4

Mechanical seal extra prices							
Diameter mechanical seal shaft - standard EN 12756		E1	V4	E7	V8	E5	V6
Motor size [kW]	Shaft diameter [mm]	QBGE	QBGV	QUGE	QUGV	UUGE	UUGV
1.1 ÷ 4	20	135,00 €	142,00 €	210,00 €	240,00 €	-	-
5.5 ÷ 7.5	24	149,00 €	159,00 €	240,00 €	280,00 €	-	-
9.2 ÷ 22	30	234,00 €	244,00 €	290,00 €	340,00 €	-	-
30 ÷ 75	40	-	-	-	-	518,00 €	535,00 €

Model	Materials	Elastomers	Description
E1	QBG	E	Silicon carbide/Graphite/Steel/EPDM
V4	QBG	V	Silicon carbide/Graphite/Steel/FKM
E7	QUG	E	Silicon carbide/Tungsten carbide/Steel/EPDM
V8	QUG	V	Silicon carbide/Tungsten carbide/Steel/FKM
E5	UUG	E	Tungsten carbide/Tungsten carbide/Steel/EPDM
V6	UUG	V	Tungsten carbide/Tungsten carbide/Steel/FKM