



# CENNIK

2018



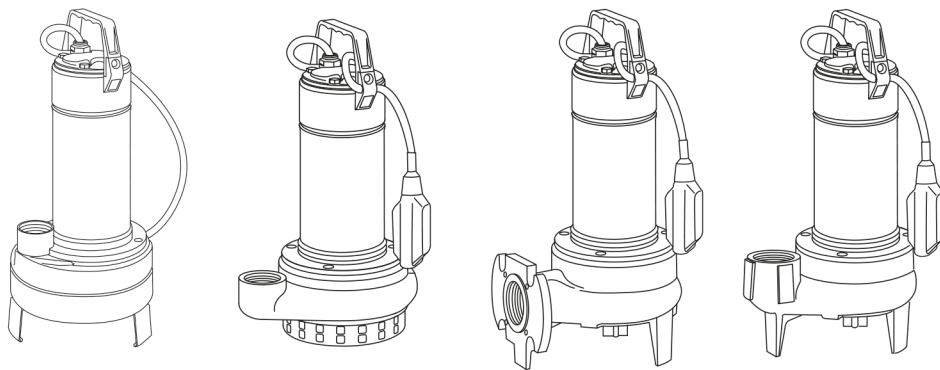
## Pompy drenazowe ED i EG

# DRAINAGE PUMPS

**ED - EDV**

**EGN**

**EGT - EGF**



## ED

### TABLE OF HYDRAULIC PERFORMANCE $N \approx 2900$ 1/MIN

Pump model	1x230 V			Capacitor		$P_2$		Q = DELIVERY								
	[A]	[µf]	[Vc]	[kW]	[HP]	l/min 0	50	100	150	200	250	300	350	400	433	
						m <sup>3</sup> /h 0	3	6	9	12	15	18	21	24	26	
ED 5	4.6	16	450	0.55	0.75	10.4	9	8	7.1	6.3	5.4	4.4	3.2	-	-	
ED 9	6.6	25	450	0.9	1.2	12.9	11.6	10.5	9.5	8.7	7.8	6.9	5.9	4.7	4	

Pump model	3x230 V		3x400 V		$P_2$		Q = DELIVERY								
	[A]	[A]	[kW]	[HP]	l/min 0	50	100	150	200	250	300	350	400	433	
					m <sup>3</sup> /h 0	3	6	9	12	15	18	21	24	26	
ED 5 T	2.8	1.6	0.55	0.75	10.4	9	8	7.1	6.3	5.4	4.4	3.2	-	-	
ED 9 T	4	2.3	0.9	1.2	12.9	11.6	10.5	9.5	8.7	7.8	6.9	5.9	4.7	4	

$P_1$ : Max absorbed power

$P_2$ : Motor nominal power

Density  $\rho = 1000$  Kg/m<sup>3</sup>

Viscosity kinematic  $\nu = \max 20$  mm<sup>2</sup>/sec

## EDV

### TABLE OF HYDRAULIC PERFORMANCE $N \approx 2900$ 1/MIN

Pump model	1x230 V			Capacitor		$P_2$		Q = DELIVERY								
	[A]	[µf]	[Vc]	[kW]	[HP]	l/min 0	50	100	150	200	250	300	350	400	433	
						m <sup>3</sup> /h 0	3	6	9	12	15	18	21	24	26	
EDV 5	4.6	16	450	0.55	0.75	7	6.2	5.4	4.6	3.7	3	-	-	-	-	
EDV 7	5.4	25	450	0.75	1	8	7.2	6.4	5.5	4.6	3.7	2.8	-	-	-	
EDV 9	6	25	450	0.9	1.2	9	8.1	7.2	6.3	5.4	4.5	3.5	2.4	-	-	

Pump model	3x230 V		3x400 V		$P_2$		Q = DELIVERY								
	[A]	[A]	[kW]	[HP]	l/min 0	50	100	150	200	250	300	350	400	433	
					m <sup>3</sup> /h 0	3	6	9	12	15	18	21	24	26	
EDV 5 T	2.8	1.6	0.55	0.75	7	6.2	5.4	4.6	3.7	3	-	-	-	-	
EDV 7 T	3.8	2.2	0.75	1	8	7.2	6.4	5.5	4.6	3.7	2.8	-	-	-	
EDV 9 T	4	2.3	0.9	1.2	9	8.1	7.2	6.3	5.4	4.5	3.5	2.4	-	-	

$P_1$ : Max absorbed power

$P_2$ : Motor nominal power

Density  $\rho = 1000$  Kg/m<sup>3</sup>

Viscosity kinematic  $\nu = \max 20$  mm<sup>2</sup>/sec

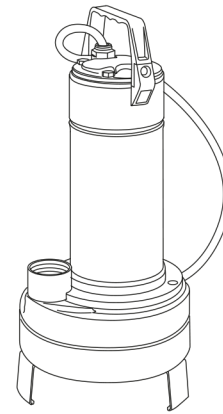
# ED - EDV

## PRODUCT DESCRIPTION

Drainage pump for dirty water.

ED with two-passage impeller, EDV with VORTEX impeller.

TECHNICAL DATA	
Power range:	0.55 kW ÷ 0.9 kW
Flow:	up to 24 m <sup>3</sup> /h
Head:	up to 13 m
Maximum immersion depth:	5 m
Liquid temperature:	max 35 °C
Protection degree:	IPX8
Insulation class:	F
Free passage:	35 mm
MATERIALS	
Pump body:	Stainless steel AISI 304
Impeller:	Stainless steel AISI 304
Double Mechanical seal :	Ceramic / Carbon / NBR



Model	Version 1x230 V		Version 3x400 V		Cable lenght [m]	Power		Performance		Weight [Kg]	
	Code	Price	Code	Price		[kW]	[HP]	Q [m <sup>3</sup> /h]	H [m]	1x230 V	3x400 V
<b>ED 5</b>	73051100	<b>€ 452,23</b>	73053100	<b>€ 428,96</b>	5	0.55	0.75	3 ÷ 21	9 ÷ 3.2	12	10.3
<b>ED 9</b>	73091130	<b>€ 546,05</b>	73093130	<b>€ 490,04</b>	10	0.9	1.2	3 ÷ 26	11.6 ÷ 4	14	12.5
<b>EDV 5</b>	73051070	<b>€ 442,26</b>	73053070	<b>€ 428,96</b>	5	0.55	0.75	3 ÷ 15	6.2 ÷ 3	12	10.3
<b>EDV 7</b>	73071080	<b>€ 521,52</b>	73073080	<b>€ 504,04</b>	10	0.75	1	3 ÷ 18	7.2 ÷ 2.8	14	12.5
<b>EDV 9</b>	73091090	<b>€ 622,60</b>	73093090	<b>€ 592,81</b>	10	0.9	1.2	3 ÷ 21	8.1 ÷ 2.4	14	12.5

## EGN

### TABLE OF HYDRAULIC PERFORMANCE N ≈ 2900 1/MIN

Pump model	1x230 V			Capacitor		P <sub>2</sub>		Q = DELIVERY								
	[A]	[µf]	[Vc]	[kW]	[HP]	l/min 0	50	100	150	200	250	300	350	400	450	500
						m <sup>3</sup> /h 0	3	6	9	12	15	18	21	24	30	30
H = TOTAL HEAD METERS COLUMN OF WATER [m]																
EGN 4	3.1	12.5	450	0.45	0.6	10	9.5	8.8	8	6.7	5	3	-	-	-	-
EGN 5	3.6	16	450	0.55	0.75	12	11.6	11	10.2	9	7.5	5.5	3.2	-	-	-
EGN 7	4.6	16	450	0.75	1	14	13.5	12.8	12	10.8	9.3	7.5	5.5	3	-	-
EGN 9	6	25	450	0.9	1.2	16	15.5	15	14.2	13.2	11.8	10.2	8	5.5	2.3	-
EGN 11	8	30	450	1.1	1.5	18	17.5	17	16.2	15	13.7	11.8	9	7	4.3	1.5
EGN 15	12	35	450	1.5	2	20	19.5	18.8	18	16.8	15.2	13.2	10.8	8.4	5.7	3

Pump model	3x230 V		3x400 V		P <sub>2</sub>		Q = DELIVERY									
	[A]	[A]	[kW]	[HP]	l/min 0	50	100	150	200	250	300	350	400	450	500	
					m <sup>3</sup> /h 0	3	6	9	12	15	18	21	24	30	30	
H = TOTAL HEAD METERS COLUMN OF WATER [m]																
EGN 4 T	2	1.2	0.45	0.6	10	9.5	8.8	8	6.7	5	3	-	-	-	-	
EGN 5 T	2.4	1.4	0.55	0.75	12	11.6	11	10.2	9	7.5	5.5	3.2	-	-	-	
EGN 7 T	2.8	1.6	0.75	1	14	13.5	12.8	12	10.8	9.3	7.5	5.5	3	-	-	
EGN 9 T	4	2.3	0.9	1.2	16	15.5	15	14.2	13.2	11.8	10.2	8	5.5	2.3	-	
EGN 11 T	4.8	2.8	1.1	1.5	18	17.5	17	16.2	15	13.7	11.8	9	7	4.3	1.5	
EGN 15 T	6.6	3.8	1.5	2	20	19.5	18.8	18	16.8	15.2	13.2	10.8	8.4	5.7	3	

P<sub>1</sub>: Max absorbed power

P<sub>2</sub>: Motor nominal power

Density ρ= 1000 Kg/m<sup>3</sup>

Viscosity kinematic v = max 20 mm<sup>2</sup>/sec

## EGT/F

### TABLE OF HYDRAULIC PERFORMANCE N ≈ 2900 1/MIN

Pump model	1x230 V			Capacitor		P <sub>2</sub>		Q = DELIVERY									
	[A]	[µf]	[Vc]	[kW]	[HP]	l/min 0	50	100	150	200	250	300	350	400	500	550	600
						m <sup>3</sup> /h 0	3	6	9	12	15	18	21	24	30	33	36
H = TOTAL HEAD METERS COLUMN OF WATER [m]																	
EGT/F 5	4.3	16	450	0.55	0.75	8	7.4	6.9	6.3	5.6	4.8	4	3	1.8	-	-	-
EGT/F 7	4.8	16	450	0.75	1	9.3	8.8	8.3	7.7	7	6.2	5.3	4.3	3.2	2.2	-	-
EGT/F 9	6.6	25	450	0.9	1.2	11	10.5	10	9.3	8.6	7.8	7	6.2	5.2	4.2	1.8	-
EGT/F 11	8.4	30	450	1.1	1.5	12.8	12.2	11.6	11	10.3	9.5	8.6	7.7	6.7	5.7	3.3	2
EGT/F 15	12	35	450	1.5	2	15	14.4	13.7	13	12.2	11.3	10.4	9.5	8.5	7.4	4.5	3.5

Pump model	3x230 V		3x400 V		P <sub>2</sub>		Q = DELIVERY									
	[A]	[A]	[kW]	[HP]	l/min 0	50	100	150	200	250	300	350	400	500	550	600
					m <sup>3</sup> /h 0	3	6	9	12	15	18	21	24	30	33	36
H = TOTAL HEAD METERS COLUMN OF WATER [m]																
EGT/F 5 T	2.6	1.5	0.55	0.75	8	7.4	6.9	6.3	5.6	4.8	4	3	1.8	-	-	-
EGT/F 7 T	3.1	1.8	0.75	1	9.3	8.8	8.3	7.7	7	6.2	5.3	4.3	3.2	2.2	-	-
EGT/F 9 T	4	2.3	0.9	1.2	11	10.5	10	9.3	8.6	7.8	7	6.2	5.2	4.2	1.8	-
EGT/F 11 T	5.2	3	1.1	1.5	12.8	12.2	11.6	11	10.3	9.5	8.6	7.7	6.7	5.7	3.3	2
EGT/F 15 T	6.9	4	1.5	2	15	14.4	13.7	13	12.2	11.3	10.4	9.5	8.5	7.4	4.5	3.5

P<sub>1</sub>: Max absorbed power

P<sub>2</sub>: Motor nominal power

Density ρ= 1000 Kg/m<sup>3</sup>

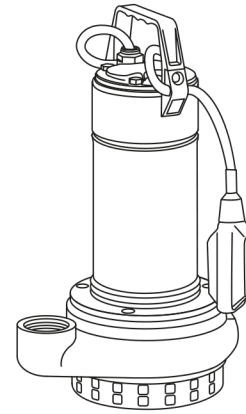
Viscosity kinematic v = max 20 mm<sup>2</sup>/sec

# EGN

## PRODUCT DESCRIPTION

Single impeller drainage submersible pump, with open impeller.

TECHNICAL DATA	
Power range:	0.45 kW ÷ 1.5 kW
Flow:	up to 30 m <sup>3</sup> /h
Head:	up to 20 m
Maximum immersion depth:	5 m
Liquid temperature:	max 35 °C
Protection degree:	IPX8
Insulation class:	F
Free passage:	35 mm
Cable lenght:	10 m
MATERIALS	
Pump body:	Cast-iron GJL 200 EN 1561
Filter:	Stainless steel AISI 304
Double Mechanical seal :	Ceramic / Carbon / NBR



Model	Version 1x230 V with float switch		Version 3x400 V		Power		Performance		Weight [Kg]	
	Code	Price	Code	Price	[kW]	[HP]	Q [m <sup>3</sup> /h]	H [m]	1x230 V	3x400 V
<b>EGN 4</b>	79141100	€ 456,73	79043100	€ 456,73	0.45	0.6	3 ÷ 18	9.5 ÷ 3	15	14
<b>EGN 5</b>	79051120	€ 464,35	79053120	€ 464,35	0.55	0.75	3 ÷ 21	11.6 ÷ 3.2	15.5	14.5
<b>EGN 7</b>	79071140	€ 471,95	79073140	€ 471,95	0.75	1	3 ÷ 24	13.5 ÷ 3	15.5	14.5
<b>EGN 9</b>	79091160	€ 507,85	79093160	€ 507,85	0.9	1.2	3 ÷ 27	15.5 ÷ 2.3	18	16
<b>EGN 11</b>	79111180	€ 565,46	79113180	€ 565,46	1.1	1.5	3 ÷ 30	17.5 ÷ 1.5	19	17.5
<b>EGN 15</b>	79151200	€ 616,58	79153200	€ 580,70	1.5	2	3 ÷ 30	19.5 ÷ 3	20.5	19

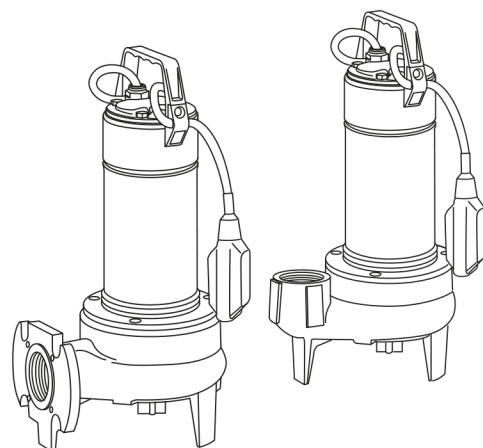
## EGT-F

### PRODUCT DESCRIPTION

Single impeller drainage submersible pump with free-low VORTEX impeller.

EGT: vertical delivery port G 2" thread

EGF: horizontal delivery port flanged DN50 and G 2" thread.



TECHNICAL DATA	
Power range:	0.55 kW ÷ 1.5 kW
Flow:	up to 36 m³/h
Head:	up to 15 m
Maximum immersion depth:	5 m
Liquid temperature:	max 35 °C
Protection degree:	IPX8
Insulation class:	F
Free passage:	35 mm
Cable lenght:	10 m
MATERIALS	
Pump body / Impeller:	Cast-iron GJL 200 EN 1561
Double Mechanical seal :	Ceramic / Carbon / NBR

### EGT

Model	Version 1x230 V with float switch		Version 1x230 V without float switch		Version 3x400 V		Power		Performance		Weight [Kg]	
	Code	Price	Code	Price	Code	Price	[kW]	[HP]	Q [m³/h]	H [m]	1x230 V	3x400 V
EGT 5	77051081	€ 504,57	77051080	€ 495,88	77053080	€ 504,57	0.55	0.75	3 ÷ 24	7.4 ÷ 1.8	15.8	14.8
EGT 7	77071091	€ 511,10	77071090	€ 502,40	77073090	€ 511,10	0.75	1	3 ÷ 27	8.8 ÷ 2.2	16	15
EGT 9	77091111	€ 529,59	77091110	€ 520,89	77093110	€ 529,59	0.9	1.2	3 ÷ 33	10.5 ÷ 1.8	17.8	15.8
EGT 11	77111131	€ 580,70	77111130	€ 571,99	77113130	€ 580,70	1.1	1.5	3 ÷ 36	12.2 ÷ 2	20.3	18.8
EGT 15	77151151	€ 663,34	77151150	€ 654,64	77153150	€ 598,10	1.5	2	3 ÷ 36	14.4 ÷ 3.5	21.8	20.3

### EGF

Model	Version 1x230 V with float switch		Version 1x230 V without float switch		Version 3x400 V		Power		Performance		Weight [Kg]	
	Code	Price	Code	Price	Code	Price	[kW]	[HP]	Q [m³/h]	H [m]	1x230 V	3x400 V
EGF 5	78051081	€ 540,47	78051080	€ 531,76	78053080	€ 540,47	0.55	0.75	3 ÷ 24	7.4 ÷ 1.8	16	15
EGF 7	78071091	€ 548,07	78071090	€ 539,37	78073090	€ 548,07	0.75	1	3 ÷ 27	8.8 ÷ 2.2	16.2	15.2
EGF 9	78091111	€ 565,46	78091110	€ 556,77	78093110	€ 565,46	0.9	1.2	3 ÷ 33	10.5 ÷ 1.8	18	16
EGF 11	78111131	€ 616,58	78111130	€ 607,88	78113130	€ 616,58	1.1	1.5	3 ÷ 36	12.2 ÷ 2	20.5	19
EGF 15	78151151	€ 700,31	78151150	€ 691,61	78153150	€ 635,06	1.5	2	3 ÷ 36	14.4 ÷ 3.5	22	20.5

### ACCESSORIES

Model	Code	Price
LOWERING KIT 2"/DN50 FOR EGF	14216150	€ 248,25
FLOAT SWITCH KEY MAC3 10/8A 250V H07RNF 4G1 10 MT WITH COUNTERWEIGHT	15566505	€ 63,65
QE1M/16 A 1X230 V 50/60 Hz	002823071	€ 222,79
QE1T/15 A 3X400 V 50/60 Hz	002823593	€ 290,69
QE2M/16 A 1X230 V 50/60 Hz	002824071	€ 269,47
QE2T/15 A 3X400 V 50/60 Hz	002824593	€ 403,14